

# Stick ap

Studiopepe



SMALL



MEDIUM



DOUBLE



TRIO



## Preziosa semplicità.

Elementi triangolari dalle linee pure ed essenziali, che emanano una luce suggestiva pur essendo funzionali. La luce diventa protagonista, grazie al diffusore rigato, scelto ad hoc per produrre giochi di luce unici in vari contesti. Prodotto esteticamente minimalista, Stick è tecnicamente realizzato secondo uno standard molto elevato, senza viti o fissaggi, tranne sul retro. Elementi puri e architettonici si fondono all'interno di un corpo illuminante di grande carattere.

Stick illumina l'ambiente circostante in modo uniforme se visto di fronte; tuttavia, a seconda dell'angolo di visione, crea effetti di luce differenti. La gamma di prodotti Stick è costituita da lampade a parete, a sospensione e da terra.

## Precious simplicity.

Triangular elements with pure, essential lines, which emanate an atmospheric light while being functional. Light takes the leading role, thanks to the ribbed diffuser, chosen specifically to produce unique plays of illumination in various contexts. An aesthetically minimalist product, Stick is technically made to a very high standard, with no screws or attachments, except on the back. Pure and architectural elements are combined within a lighting unit of great character. Stick lights its surroundings evenly when seen from the front; however, depending on the viewing angle, it creates different light effects. The The Stick product range consists of wall, pendant and floor lamps.

## SPECIFICHE PRODOTTO / PRODUCT SPECIFICS

STICK AP SMALL L.30

STICK AP MEDIUM L.60

STICK AP DOUBLE DX L.30/L.60

STICK AP DOUBLE SX L.30/L.60

STICK AP TRIO

p.2

p.3

p.4

p.5

p.6

p.7

**STRUTTURA / FRAME**

Nickel dorato satinato  
*Satin golden nickel finish*



Rame satinato  
*Satin copper finish*

**DIFFUSORE / DIFFUSER**

Plexiglass rigato  
*Striped plexiglass*

**FONTE LUMINOSA / LIGHT SOURCE****220-240V**

Custom LED

**AP SMALL L.30**

1 x 13.5W  
Custom LED  
Emissione / Light emission: 1.250 Lm  
2.700 K; CRI: >90  
IP44

**AP MEDIUM L.60**

1 x 27W  
Custom LED  
Emissione / Light emission: 2.500 Lm  
2.700 K; CRI: >90  
IP44

**AP DOUBLE L.30/L.60**

1 x 13.5W + 1 x 27W  
Custom LED  
Emissione / Light emission: 3.750 Lm  
2.700 K; CRI: >90  
IP44

**AP TRIO**

3 x 27W  
Custom LED  
Emissione / Light emission: 7.500 Lm  
2.700 K; CRI: >90  
IP20

Dimmerabile a taglio di fase/Triac -  
altri sistemi di dimmerazione (DALI e 1-10V)  
disponibili su richiesta

*Phase cut/Triac dimming - other dimming  
systems (DALI and 1-10V) available on demand*

**110V**

Custom LED

**AP SMALL L.30**

1 x 13.5W  
Custom LED  
Light emission: 1.250 Lm  
2.700 K; CRI: >90  
IP44

**AP SMALL L.30**

1 x 27W  
Custom LED  
Light emission: 2.500 Lm  
2.700 K; CRI: >90  
IP44

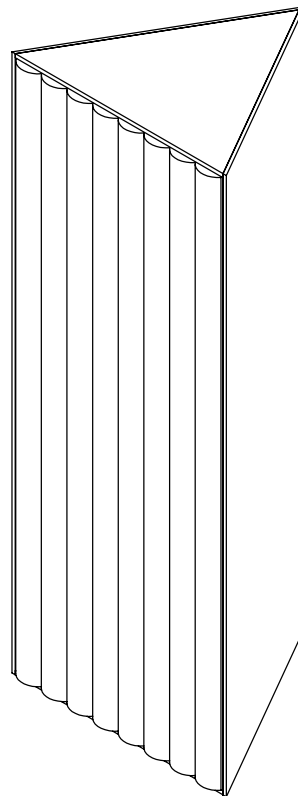
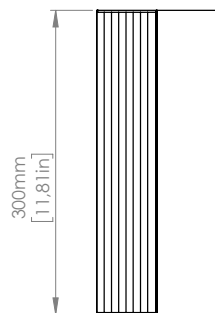
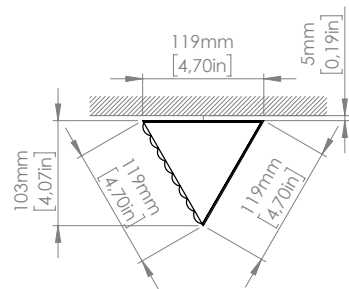
**AP DOUBLE L.30/L.60**

1 x 13.5W + 1 x 27W  
Custom LED  
Light emission: 3.750 Lm  
2.700 K; CRI: >90  
IP44

**AP TRIO**

3 x 27W  
Custom LED  
Light emission: 7.500 Lm  
2.700 K; CRI: >90  
IP20

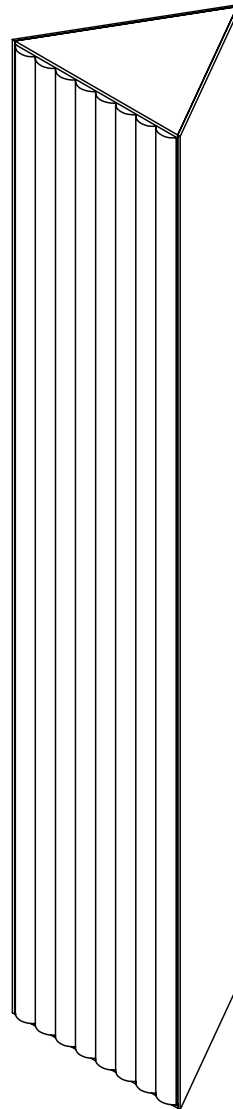
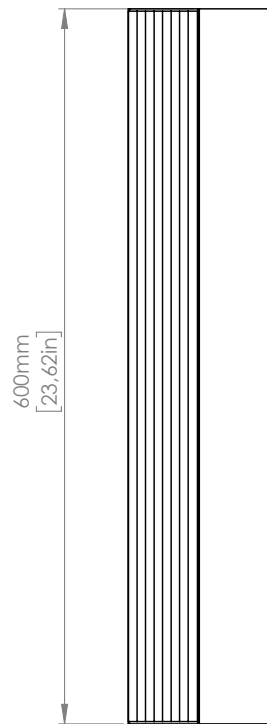
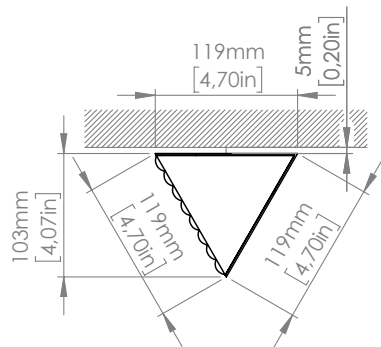
*Phase cut/Triac dimming - 1-10V dimming  
systems available on demand*



**PRODOTTO / PRODUCT    IMBALLI / PACKAGING**

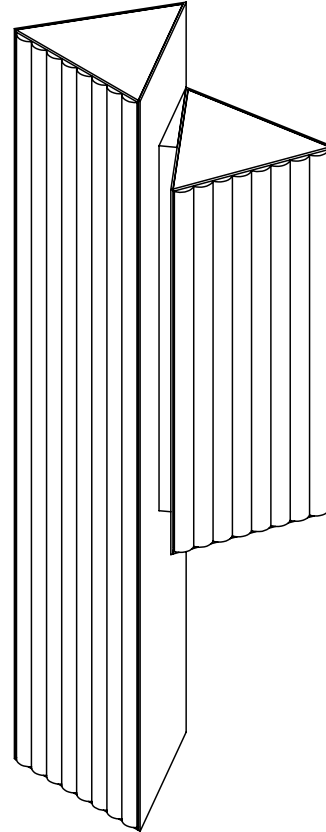
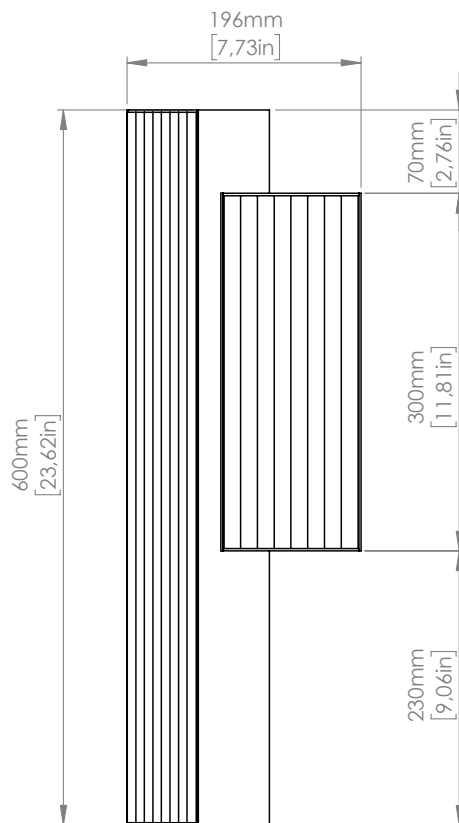
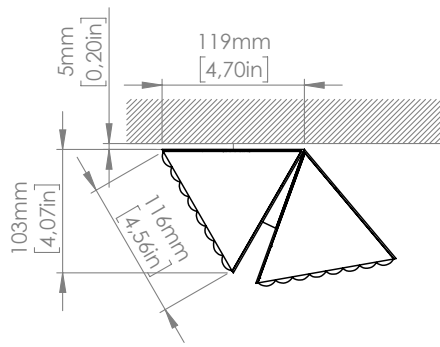
**Peso-Weight**  
1.5 kg / 3.3 lbs

**Box 1**  
L: 380 mm / 14.9"  
P-W: 190 mm / 7.5"  
H: 180 mm / 7.1"  
Peso-Weight: 2 kg / 4.4 lbs



**PRODOTTO / PRODUCT**    **IMBALLI / PACKAGING**

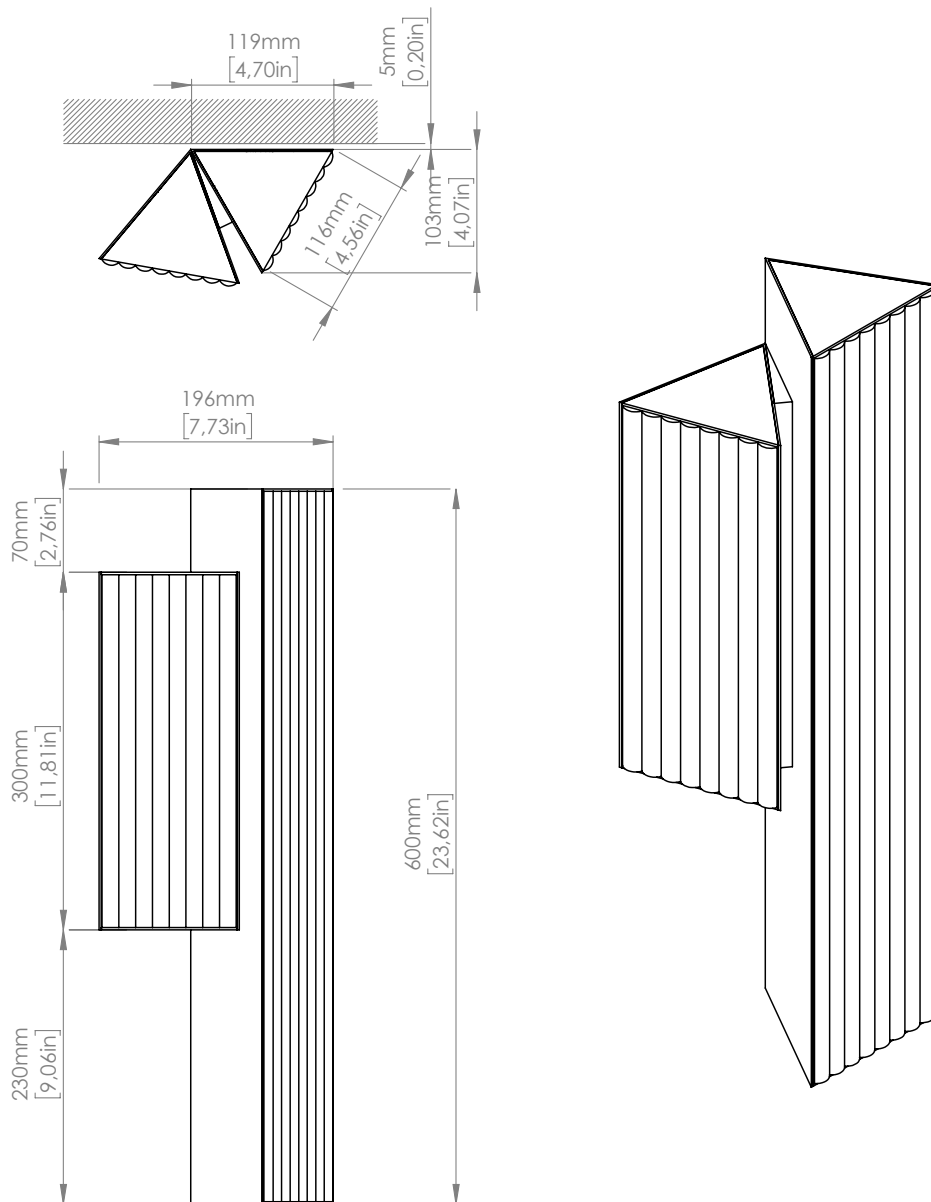
<p><b>Peso-Weight</b> 4 kg / 8.8 lbs</p>	<p><b>Box 1</b> L: 680 mm / 26.7" P-W: 230 mm / 9" H: 250 mm / 9.8" Peso-Weight: 4.5 kg / 9.9 lbs</p>
--	---



**PRODOTTO / PRODUCT    IMBALLI / PACKAGING**

**Peso-Weight**  
5.5 kg / 12.1 lbs

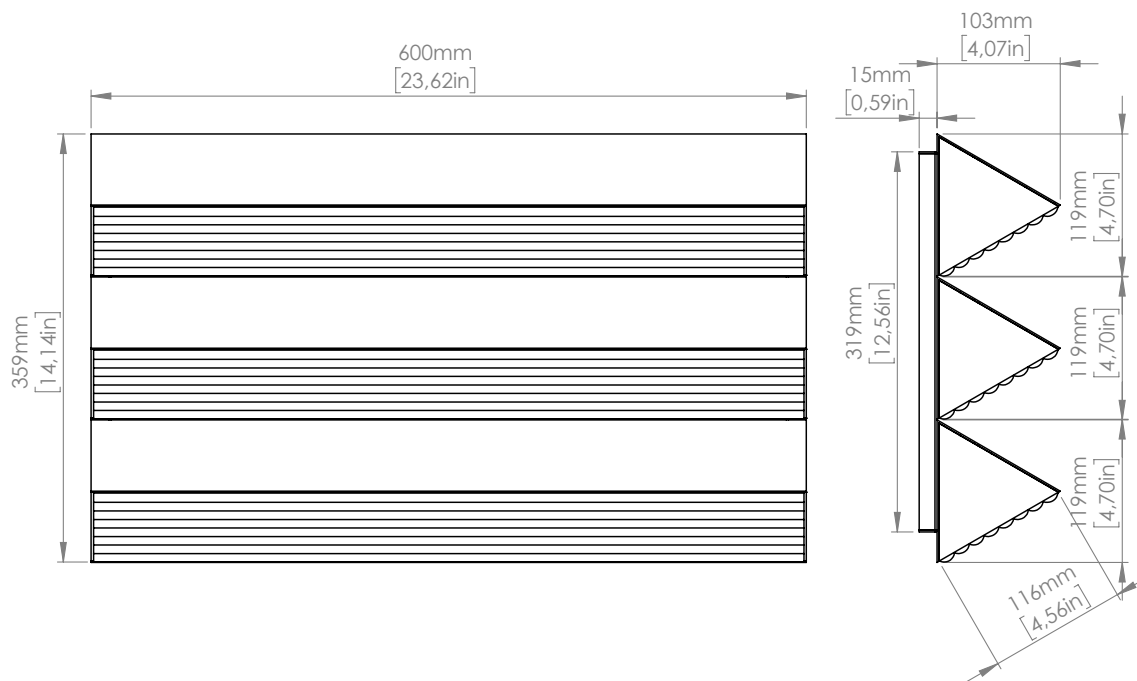
**Box 1**  
L: 680 mm / 26.7"  
P-W: 270 mm / 10.6"  
H: 230 mm / 9"  
Peso-Weight: 6 kg / 13.2 lbs



**PRODOTTO / PRODUCT**    **IMBALLI / PACKAGING**

**Peso-Weight**  
5.5 kg / 12.1 lbs

**Box 1**  
L: 680 mm / 26.7"  
P-W: 270 mm / 10.6"  
H: 230 mm / 9"  
Peso-Weight: 6 kg / 13.2 lbs



**PRODOTTO / PRODUCT**    **IMBALLI / PACKAGING**

<p><b>Peso-Weight</b> 11.5 kg / 24.2 lbs</p>	<p><b>Box 1</b> L: 780 mm / 30.7" P-W: 280 mm / 11" H: 490 mm / 19.3" Peso-Weight: 12.5 kg / 27.5 lbs</p>
--	---

Copyright and/or design rights subsist in this drawing. No part of this drawing may be reproduced in any material form (including photocopying or storing in any medium electronic means, whether or not intentionally and whether or not as part or a larger publication) without the express permission of the copyright owner, Contardi Lighting S.r.l.. Further and without prejudice to the above, this drawing and all information relating thereto is confidential, and shall not be communicated to a third party without the consent of Contardi lighting srl. Contardi lighting srl asserts all rights to be identified as the author of the work and otherwise.

WARNING: The doing of any unauthorised act in relation to a copyright work may result in both a civil claim for damages and criminal prosecution.

---

**CONTARDI LIGHTING Srl**

ITALY HEADQUARTERS

contardi-italia.com / sales@contardi-italia.it

**CONTARDI USA Inc**

USA BRANCH

contardi-usa.com / office@contardi-usa.com

